

DEA®



BARRIERS

# STOP/PASS

Electromechanical barrier





Electromechanical barrier

# PASS/STOP

RELIABLE AND FAST & GREAT STURDINESS AND RELIABILITY

**PASS** is the reliable and fast 3 or 4 mt. barrier ideal for residential uses or on small parkings;  
**STOP** is the barrier for top safety and strength, it's available for boom up to 4 or 6 mt. and it is suitable for parking systems or transit zones at high use.



PASS

STOP

RANGE

# PASS/STOP

## 230V ac

**PASSRR:** 230V ac barrier for booms up to 3 or 4 mt.  
**STOP 1000RR:** 230V ac barrier for booms up to 4 mt.  
**STOP 1001RR:** 230V ac barrier for booms up to 6 mt.

\* all 230V ac barriers are complete of 203RR control panel, with built-in 433Mhz radio receiver, adjustable travelling and slow down speed in opening and closing, anti-crush system, motor control by encoder.

## 24V dc

**PASS/24RR:** 24V dc barrier for booms up to 3 or 4 mt.  
**STOP 1000/24RR:** 24V dc barrier for booms up to 4 mt.  
**STOP 1001/24RR:** 24V dc barrier for booms up to 6 mt.

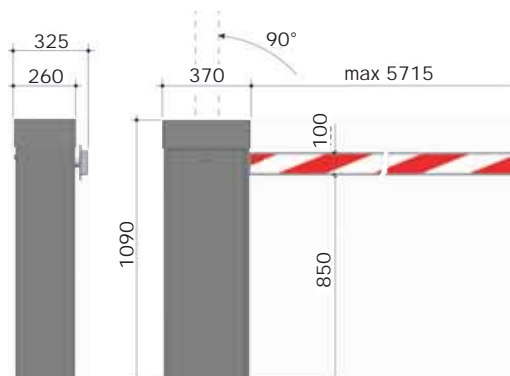
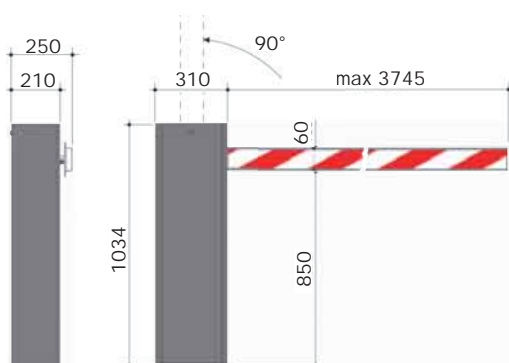
\* all 24V dc barriers are complete of 124RR control panel, with built-in 433Mhz radio receiver, adjustable travelling and slow down speed in opening and closing, anti-crush system.

## The models

- Electromechanical barriers, 230V ac, 24V dc
- Suitable for booms up to 3, 4 or 6 mt.
- Single model for left or right side opening
- Painted or stainless steel box complete with door with lock
- Simple internal unlocking system
- Spring balancing
- Built-in mechanical limit-switch
- Built-in control board
- Grease soaked gear motor



Simple internal unlocking system



# accessories

## For PASS and STOP



**Art. 1006**  
Mobile support.



**Art. 1010**  
Adjustable fixed support.



**Art. 1007**  
Fixed support.

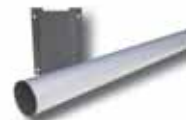


**Art. 1012**  
Fluorescent red stickers.

## For STOP only



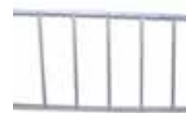
**Art. 1004**  
Folding bar joint.



**Art. 1008T**  
Round boom 4 mt.  
**Art. 1009T**  
Round boom 6 mt.



**Art. 1011**  
Foundation plate.



**Art. 1005**  
Aluminium skirt.



### For PASS

**Art. 1015 PASS**  
Rectangular boom cm 300 x 6 x 3  
**Art. 1016 PASS**  
Rectangular boom cm 400 x 6 x 3

### For STOP

**Art. 1008**  
Rectangular boom cm 400 x 3 x 10.  
**Art. 1009**  
Rectangular boom cm 600 x 5 x 10

## Technical information

Model	PASS RR	PASS/24R	1000RR	1000/24RR	1001RR	1001/24RR
Power supply (V) (50/60 Hz)	230 a.c.	24 d.c.	230 a.c.	24 d.c.	230 a.c.	24 d.c.
Motor power supply (V)	230 a.c.	24 d.c.	230 a.c.	24 d.c.	230 a.c.	24 d.c.
Capacity (W)	320	120	500	120	500	120
Condenser incorporated (µF)	8	-	18	-	18	-
Protection level (IP)	44	44	44	44	44	44
Operating temperature (°C)	-20 ÷ +60	-20 ÷ +60	-25 ÷ +60	-25 ÷ +60	-25 ÷ +60	-25 ÷ +60
Motor thermal protection (°C)	140	-	150	-	150	-
Duty cycle (%)	40	70	80	80	80	80
Minimum opening time (sec. 90°)	2,8	2,5	3	2,7	6	5,3
Weight with packing (kg)	42	41	76	75	76	75



Sectional and garage doors

LIVI 902



SPAZIO



LIVI 800 C



LATO



LIVI 550PL



Swing gates

LIVI 500



ANGOLO



GHOST 200



OLI 600



WING 302



LOOK



Sliding gates

LIVI 400



GULLIVER



Electromechanical barriers

PASS



STOP



Roller shutter

WILL



The products

The accessories



**Digikey:**  
Safe and reliable,  
available wireless  
and hard-wired.



**Safety beams:**  
reliable and easy  
to install.



**Control boards:**  
230V a.c. e 24V d.c.,  
exact and simple  
programming.



**Flashing light**  
with built-in  
433,92 Mhz  
aerial.



**Radio devices:**  
frequency 433,92 Mhz,  
available Dip-Switch  
or Self-Learning type.



**Programming keyboard** for  
transponder and wireless  
transmission systems; it allows  
you to personalize installations  
with fitter/installation codes.

DEALER STAMP



**DEA SYSTEM S.p.A.**

GATE AUTOMATION

Via della Tecnica, 6 - 36013 PIOVENE ROCCHETTE (VI)

Telefono: + 39 0445 550789 - Telefax: + 39 0445 550265

www.deasystem.com

deasystem@deasystem.com